

- **EXHAUST SYSTEM—LOOSE CATALYST OR MUFFLER HEAT SHIELDS**
- **NOISE—“BUZZING” OR “RATTLING”—LOOSE CATALYST OR MUFFLER HEAT SHIELDS**

**Article No.
98-20-10**

FORD: 1993 FESTIVA
 1993-1994 TEMPO
 1993-1997 PROBE, THUNDERBIRD
 1993-1999 CROWN VICTORIA, ESCORT, MUSTANG, TAURUS
 1994-1997 ASPIRE
 1995-1999 CONTOUR
 1993-1996 BRONCO
 1993-1997 AEROSTAR, F SUPER DUTY, F-350
 1993-1999 ECONOLINE, EXPLORER, F-150, F-250 LD, RANGER
 1995-1999 WINDSTAR
 1997-1999 EXPEDITION
 1999 F-250 HD, SUPER DUTY F SERIES

LINCOLN: 1993-1999 CONTINENTAL, TOWN CAR
 1998-1999 NAVIGATOR

MERCURY: 1993-1994 CAPRI, TOPAZ
 1993-1997 COUGAR
 1993-1999 GRAND MARQUIS, SABLE, TRACER
 1995-1999 MYSTIQUE
 1999 COUGAR
 1997-1999 MOUNTAINEER, VILLAGER

This TSB article is being republished in its entirety to include additional vehicles and to include 1999 model year vehicles.

ISSUE

A “buzzing” or “rattling” noise from the exhaust system may be caused by a loose heat shield attachment to the catalytic converter, catalytic pipes, muffler pipes and/or muffler. The noise is noticeable during normal driving conditions or at engine idle.

ACTION

Install worm clamps to secure loose heat shield attachments. Refer to the following Service Procedure for details.

SERVICE PROCEDURE

1. Inspect for loose shields. If shield(s) is missing, this TSB does not apply. Refer to the appropriate Service or Workshop Manual for repair procedures.

NOTE

UNDER NO CIRCUMSTANCES SHOULD A HEAT SHIELD BE REMOVED WITHOUT REPLACEMENT BEFORE THE VEHICLE IS RETURNED TO THE CUSTOMER.

2. Install worm clamps to the catalytic converter, catalytic pipes, muffler pipes or muffler as shown in Figure 1 for the typical light truck and Figure 2 for the typical passenger car.
3. Align the clamps to secure the heat shield to the catalytic converter, catalytic pipes, muffler pipes or muffler as required.
4. Tighten the clamps to 6.8 N•m (60 lb-in).
5. Trim the excess “ear” of the clamp to approximately 2.54 cm (1”).

Article No. 98-20-10 Cont'd.

PART NUMBER	PART NAME
FOTZ-5A231-A	Worm Clamp (4-1/2" To 9-1/2")
W705949-S300	Worm Clamp (3/4" To 4")

OTHER APPLICABLE ARTICLES: NONE

SUPERSEDES: 98-6-4

WARRANTY STATUS: Eligible Under Basic
Warranty Coverage For
1991 And Prior Models,
Bumper To Bumper
Warranty Coverage For
1992-99 Models, And Any

Applicable Emissions
Warranty Coverage

OPERATION	DESCRIPTION	TIME
982010A	Install One (1), Two (2), Or Four (4) Worm Clamps	0.3 Hr.

DEALER CODING

BASIC PART NO.
5E258

CONDITION
CODE
33

OASIS CODES: 403000, 702000, 702100, 702200,
703000

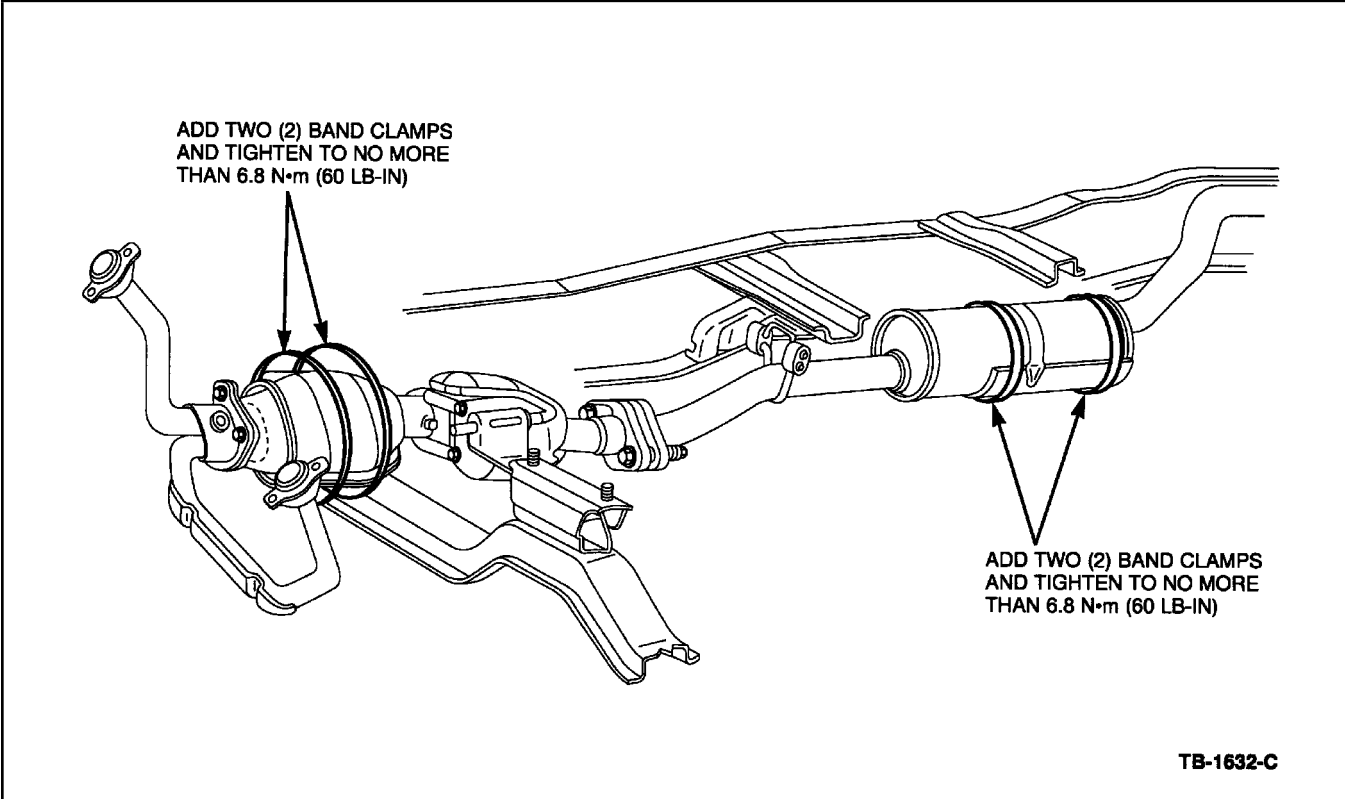


Figure 1 - Article 98-20-10

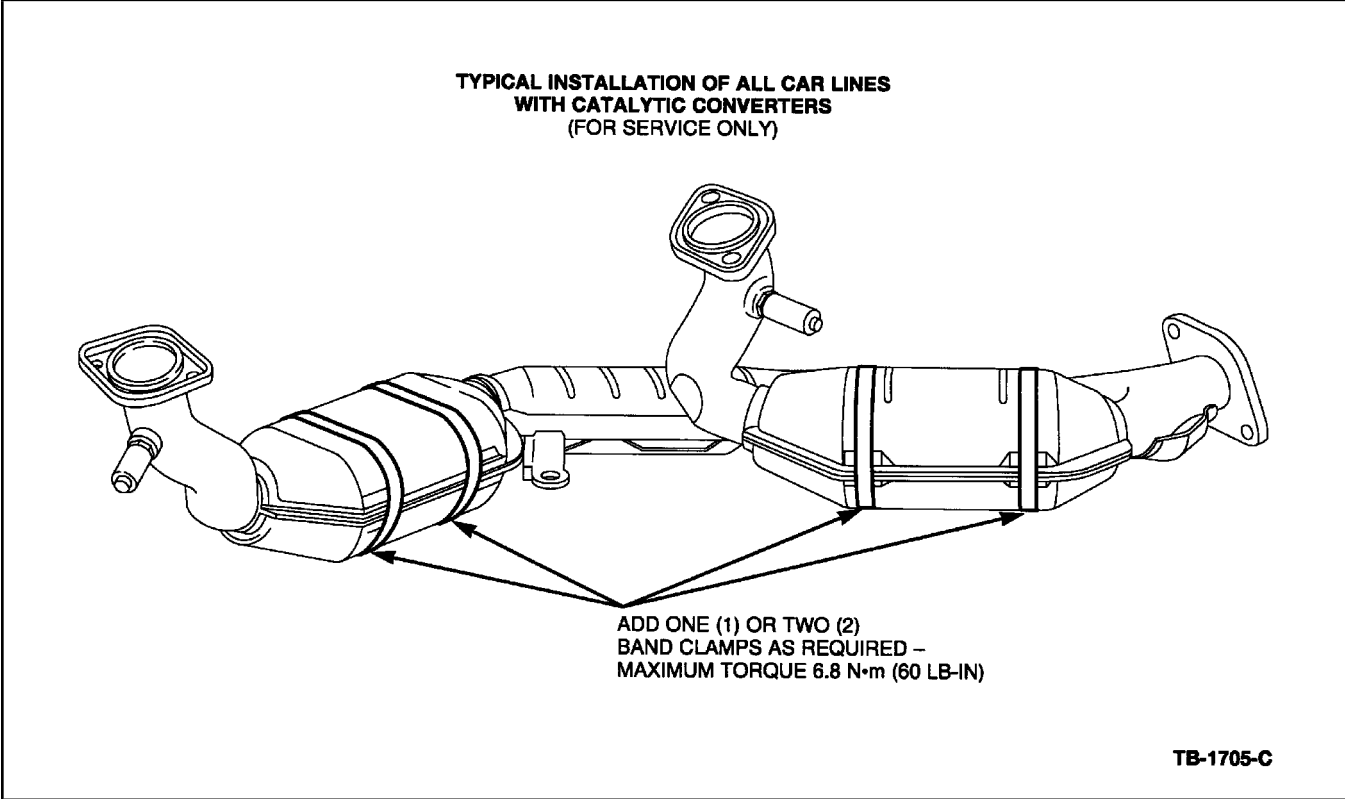


Figure 2 - Article 98-20-10